

MX 48

8 Channel Controller

- Easy operation
- Up to 8 channels
- Programming by keypad or PC
- Serial/analog outputs



The MX 48 is designed to protect your property and personnel in environments likely to contain flammable or toxic gases.

Equipped with up to 8 independent channels, the MX 48 can be used to control different types of detectors. In fact, this unit is compatible with all the detector-transmitters in the Industrial Scientific range and any detector with a standard 4-20 mA output.



**INDUSTRIAL
SCIENTIFIC**

www.indsci.com

MX 48

Designed To Meet Your Needs

The MX 48 caters to a wide range of possible uses, adapting to your safety requirements.

The variety of programming options, by keypad or computer, ensures it meets specific user needs. Furthermore, the MX 48 is open-ended, so that if required, subsequent extensions or modifications can be added.

Easy to install and very flexible to use, the MX 48 can handle multiple applications to accommodate your technical requirements at lower costs.

Measurement and alarm unit

The MX 48 is designed for prevention, action and detection. The controller:

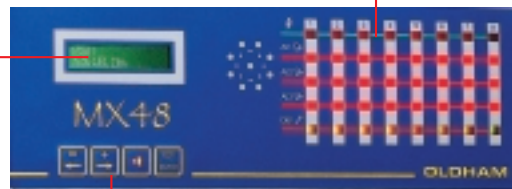
- monitors sensors and detectors
- displays the nature, concentration, measurement and unit of the gas detected (in cyclic mode)
- triggers alarms if the measurement exceeds thresholds
- actuates relays for the control of warning devices, valves and mimic panels
- indicates faults
- transmits data via analog and serial outputs
- has enhanced European standards EN 50054, 50081, 50082 and low voltage directives



Enhanced Ergonomics and Performance

User-friendly display panel

Fixed or scrolling LCD display on two lines of 16 characters



5 indicator lights per channel:

- on/off
- AL1
- AL2
- AL3
- Fault

4-button keypad

Triple alarm level

- 3 individually adjustable alarm levels
- Alarms 1 and 2 are instantaneous
- Alarm 3 time-delayed or based on average rate
- Local or remote acknowledgement

Simple operation

- 4-20 mA input so that any type of standard detector can be connected
- Common serial output in Modbus (J-BUS) format
- Analog outputs-one per channel
- Management of faults and alarms by micro-controller



High reliability

- Fault monitoring
- Alarm activation
- Internal testing of LED's and display
- Transmission of measurements, alarms, failures and relay status via RS232 or 485
- Programmable relays-ND or NC for fail safe operation
- Maintenance bypass mode indicated by an LED

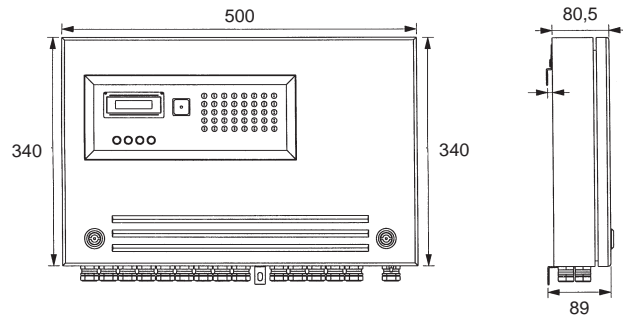
Safe and secure unit

- Protection against radio frequencies and industrial interference, to avoid false alarms in environments subject to electrical interference (EMC compliance)
- Integrated protection against human operating errors
- Protected access to programming

MX 48

SPECIFICATIONS

Type:	Wall mounted controller	Loop Impedance:	Flammable, 3 wires - 32 Ω 4-20 mA : 2 or 3 wires - 56 Ω
Function:	Microcontroller-based multichannel monitor		Average line length (in meters at 20°C for a 1,5 mm ² conductor) Flammable : 1,000 m/ 4-20 mA - 2,000 m
Capacity:	Up to 8 channels		
Display:	Fluorescent, 2 lines of 16 characters Fixed or scrolling	Signal output:	Analog 4-20 mA per channel, load resistance : 600 Ω max. Serial RS 485 or 232 in Modbus (J-BUS) format, opto-insulation an option
ALARMS:		Power supply:	109 to 122 V AC or 207 to 277 V AC 21 to 31 V DC Power consumption : 200 VA or 150 W
Fault alarm:	Yellow LED on each channel Action on common relay	Miscellaneous:	Acknowledgement : local or remote Operating temperature : -20°C to +55°C Relative humidity 5% to 95%, uncondensed Compliant with European Standards 50054, 50081 and 50082
Gas alarm:	3 independent thresholds per channel (Red LED's) 3 rd threshold time-delayed or mean value Manual or automatic reset 2 relay outputs per channel common relay on alarm 3	Protection:	IP 65
Audio Alarm:	80 db at 30 cm	Weight:	11 Kg
Relay output:	2 gas alarm relays per channel 1 relay common for alarm 3 Programmable positive or negative safety on alarm relay Positive safety on failure Programmable NO or -NC	Dimensions:	H 340 x W 500 x D 89 mm
MEASUREMENT INPUT :			
Type of Detectors:	Flammable Bridge Type Flammable transmitter, toxic or oxygen detector, (type 4-20 mA)		
Link:	2 or 3 wires		



INDUSTRIAL SCIENTIFIC CORPORATION

CORPORATE HEADQUARTERS

1001 Oakdale Road • Oakdale, PA • 15071-1500 • USA
www.indsci.com



AMERICAS
Tel.: +1-412-788-4353
Fax: +1-412-788-8353
info@indsci.com

ASIA PACIFIC
Tel.: 86-10-8497-3970
Fax: 86-10-8497-3971
sales@isc-cn.com

EUROPE
Tel.: 33-3-21-60-80-80
Fax: 33-3-21-60-80-00
info@groupoldham.com

AUSTRALIA / NZ
Tel.: +61-2-8870-3400

GERMANY
Tel.: +49-231 / 9241-0

MIDDLE EAST
Tel.: +971-50-455-8518

SINGAPORE
Tel.: +65-6561-7377

UNITED KINGDOM
Tel.: +44-0-1782-562002

CZECH REPUBLIC
Tel.: +420-234-622-222/3

ITALY
Tel.: +39-011-3801371

NETHERLANDS
Tel.: +31-76-5427-609

SWITZERLAND
Tel.: +41-26-652-51-18